

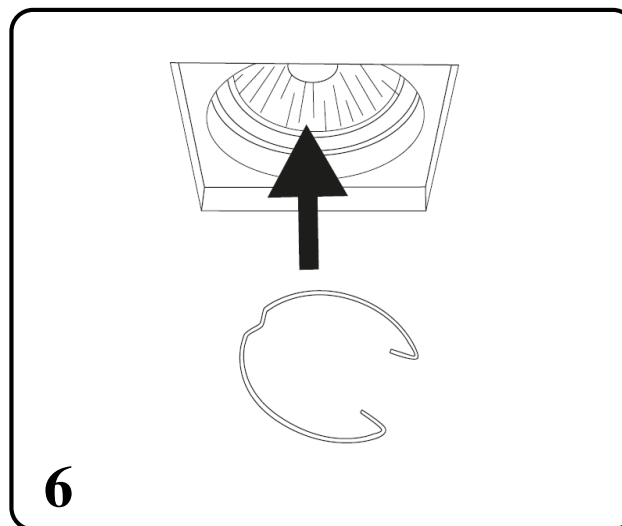
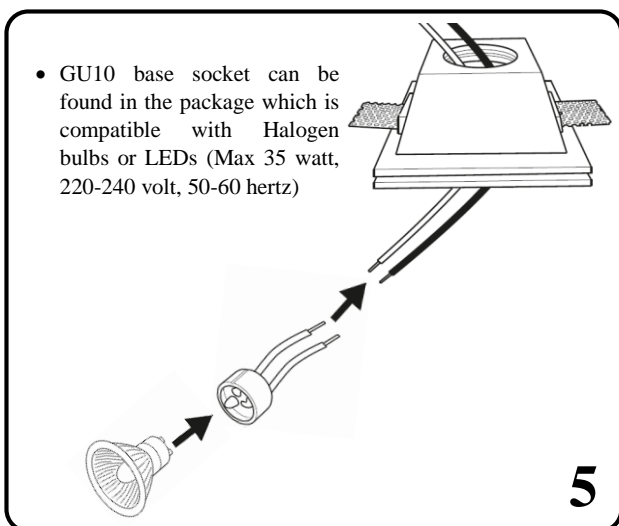
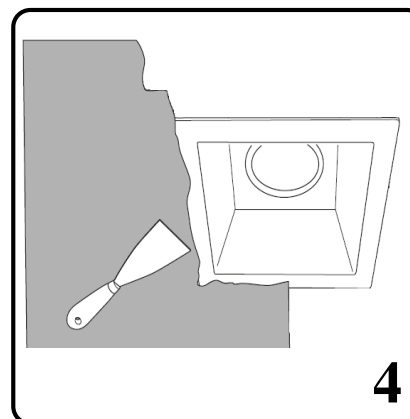
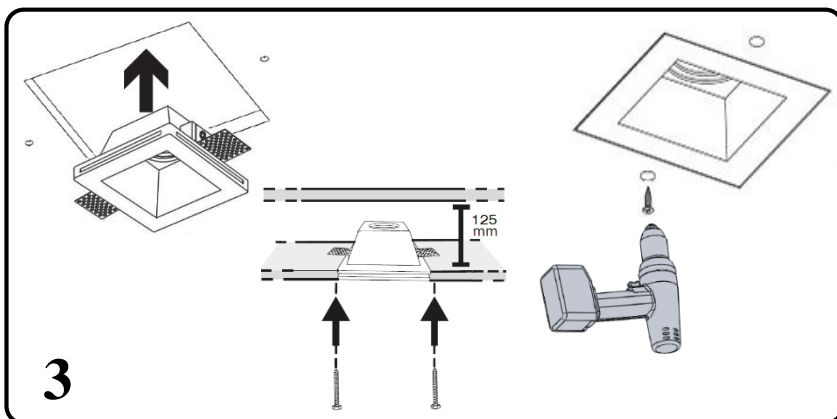
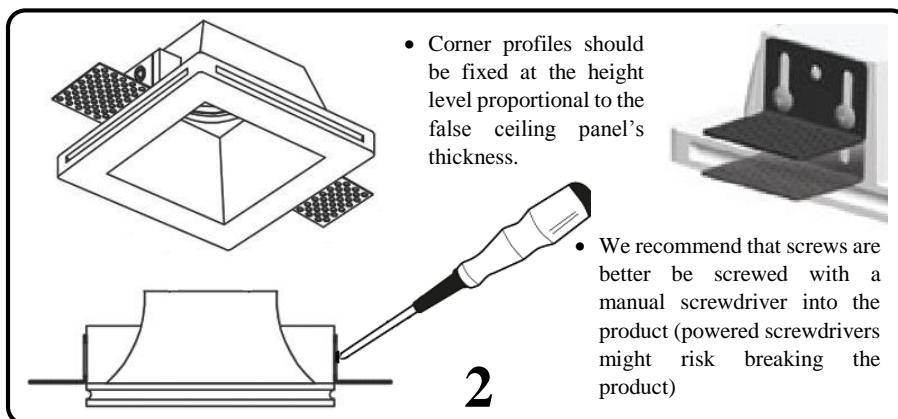
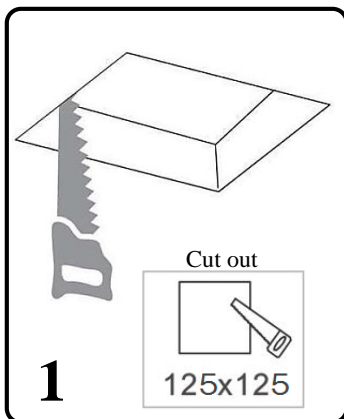
# Installation Instruction



## Trimless Gypsum Downlight

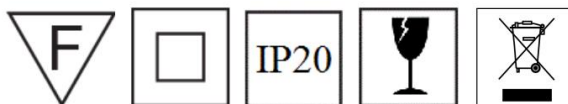
Model: Fury

We recommend all fittings are better be installed by a qualified electrician. Before any installation or maintenance operations, make sure the electricity supply is disconnected at the consumer unit/fuse board before you begin.



## Recommendations

For further installation instructions go to the product page on our website.



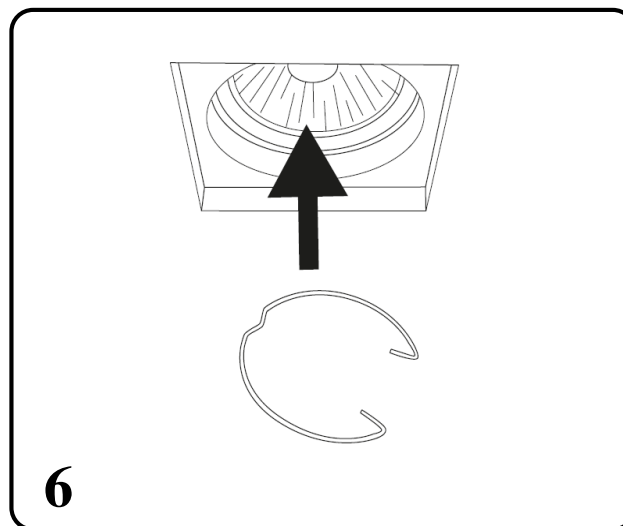
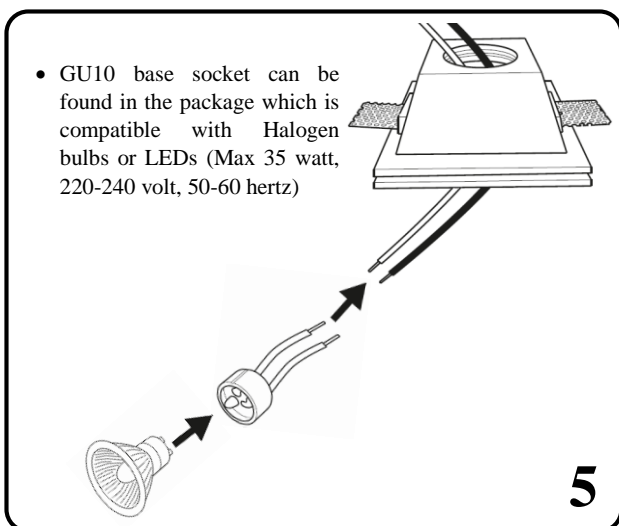
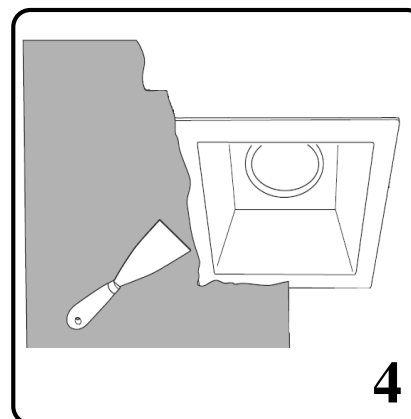
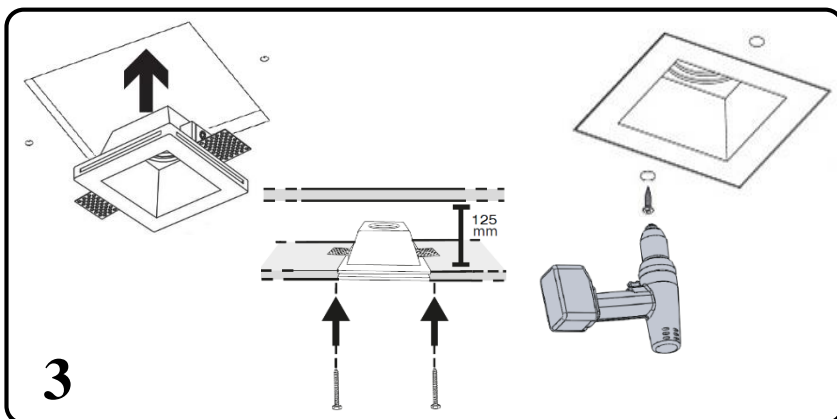
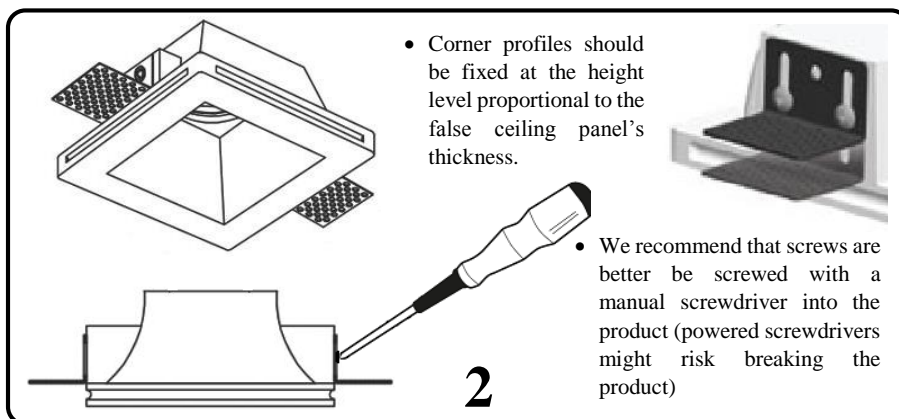
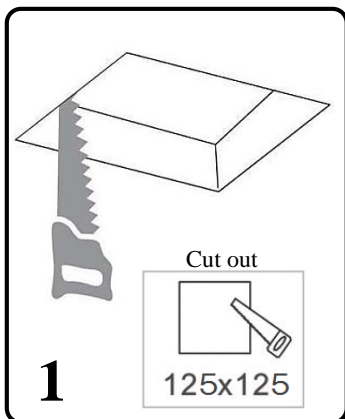
# Installation Instruction



## Trimless Gypsum Downlight

Model: Fury

We recommend all fittings are better be installed by a qualified electrician. Before any installation or maintenance operations, make sure the electricity supply is disconnected at the consumer unit/fuse board before you begin.



## Recommendations

For further installation instructions go to the product page on our website.

